

PDDL31 Order Form

Date _____
 AVFI Sales REP _____
 Customer Signature _____

Quote No. _____
 Customer No. _____
 AVFI No. _____

Office Use Only

To generate your order form, please refer to the information provided below to insert the alphabetic and/or numeric code in the respective category boxes. Please note that without this filled out Order Form, your purchase **cannot** be processed.

1	2	3	4
Product Model	Finish	Chargeable Accessories (One Code Per Box)	Custom Cutouts
PDDL31			

1 Product Model



Height Adjustable Electric Lift

Code **PDDL31**

2 Choose Product Finish

Standard Finishes

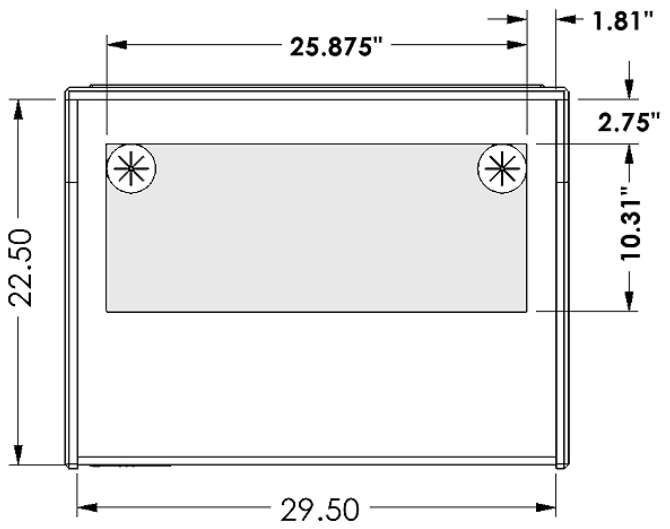
AMT	AST	CLT	CPT	CWT	EBT	FMT	HCT
SBT	SGT	SST					

3 Chargeable Accessories (Check all that apply)

Code O0	No Accessories	Qty _____
* Code D1	MIC-18 MX418 S/C Microphone	Qty _____
* Code D2	LIGHT-18 Gooseneck Light	Qty _____
* Code D3	FM3 Timer/Clock	Qty _____
* Code E3	CUB3 Round Cable Well	Qty _____
* Code E5	CUB5 Black Round Cable Well	Qty _____
* Code E6	CUB5 Silver Round Cable Well	Qty _____
* Code E7	PC-PATCH Power-Data Module	Qty _____
* Code EA	CUB4S Silver Power Panel	Qty _____
* Code EB	CUB4B Black Power Panel	Qty _____
* Code EF	CHGQIB Wireless Charging Station, Black	Qty _____
* Code EJ	CUB22 3 Module Power Panel (Black)	Qty _____
* Code EK	CUBM3 3 Module Power & Data Panel (Black)	Qty _____
* Code EL	CUBM4 4 Module Power & Data Panel (Black)	Qty _____

4 Custom Cutout Option (Extra charges will apply)

Please indicate custom cutout location on the drawing below



Code **CO** No Custom Cutout
 Code **CC** Custom Cutout (Specify on Cutout Area Above)

cutout Area (1x - 25.875" W x 10.31" D)

* Cutout Required
 § Only on Flat Cutout

Comments (Please use this section to provide additional information)

Notes

CAD Drawings/Symbols
 CAD drawings are available by request at sales@avfi.com

Custom Cutouts Estimated lead time within 20 business days from receipt of P.O. and signed drawings.

Customizations
 Modifications to design such as shape and/or size variations have to be quoted on a per case basis and are applicable for quantities of 10+ only.